



Please keep this instruction sheet for future reference,
as it contains important information.

Adult assembly is required.

Required tools: Hammer, Phillips Screwdriver
and Scrap Block of Wood (not included).

Age: 2 - 6 years; Weight Limit: 60 lbs (27 kg).

Consumer Information

⚠ WARNING

TO AVOID SERIOUS INJURY:

- Continuous adult supervision is required.
- Never use near cars and other motor vehicles, near streets, steps, sloped driveways, hills, roadways, alleys, swimming pools or other bodies of water.
- Always wear shoes.
- Never allow more than one rider.



Cap Nut



#8 x 3/4" (1,9 cm) Screw – 4

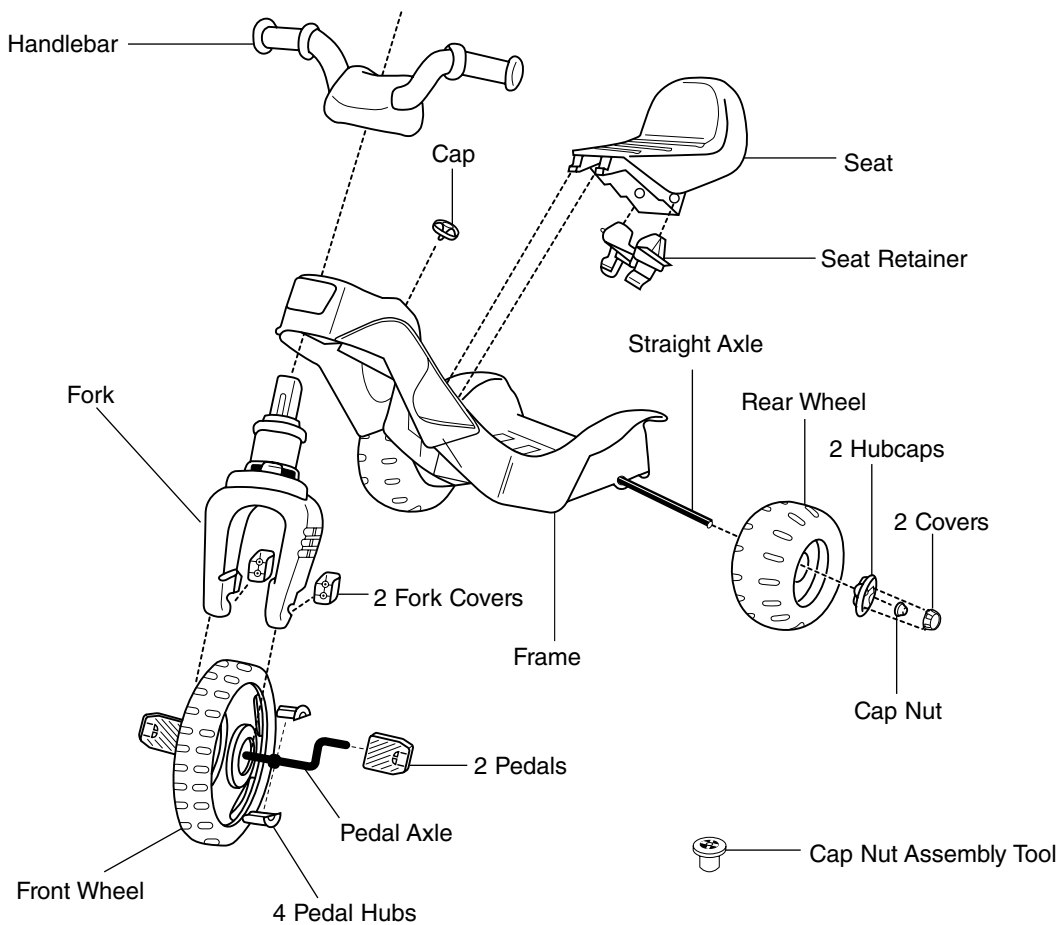


#8 x 3" (7,6 cm) Screw – 1

FASTENERS SHOWN ACTUAL SIZE

Parts

- Please save all packaging material until assembly is complete to ensure that no parts are discarded.
- Please wipe each part with a clean, dry cloth before assembly.
- Some parts shown are assembled to both sides of the trike.
- Tighten the assembled screws with a Phillips screwdriver. Do not over-tighten the screws.

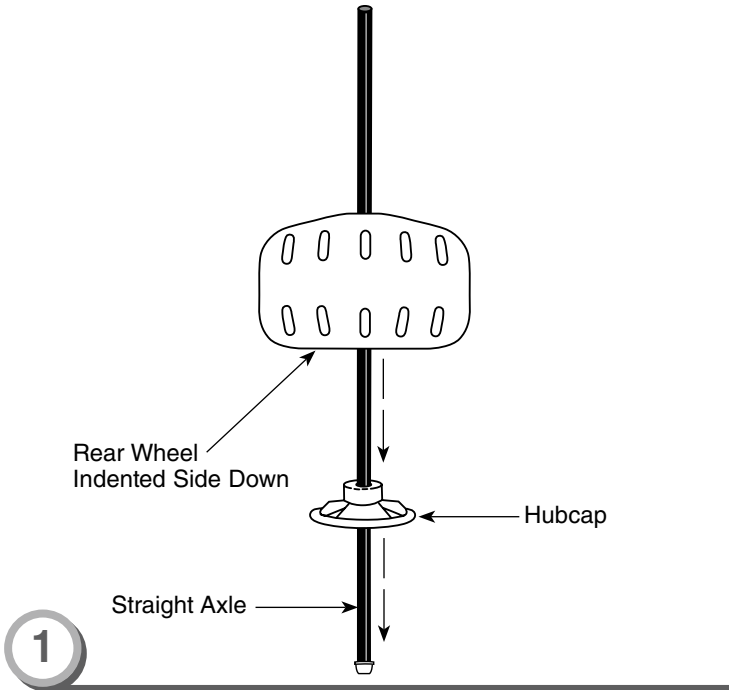


Part Not Shown: Label Sheet

Assembly

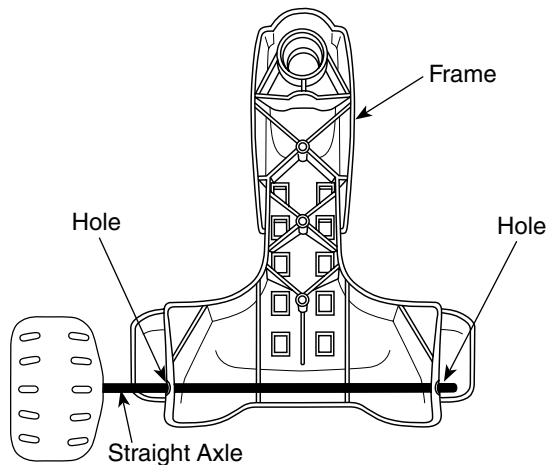
⚠ CAUTION

This product contains small parts in an unassembled state. Adult assembly is required.



1

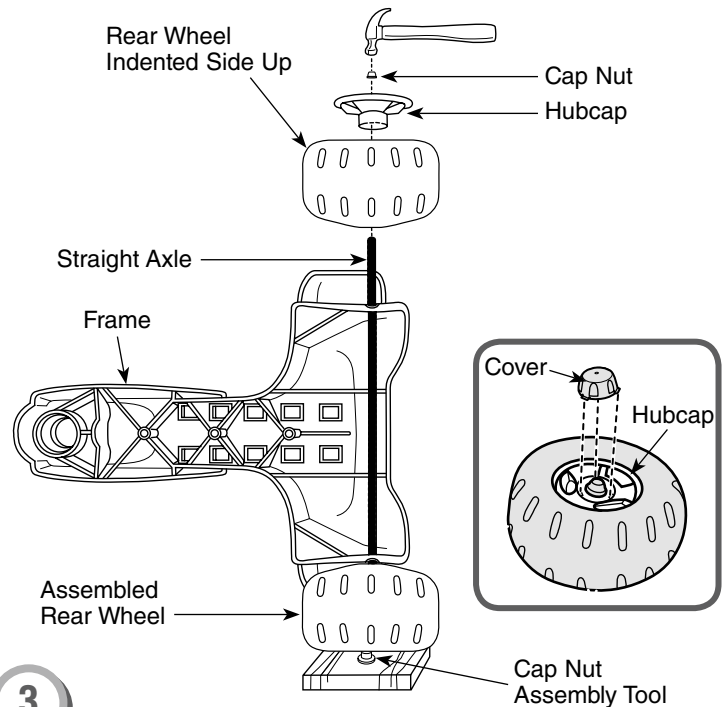
- Slide a hubcap (peg side up) onto the straight axle.
- Slide a rear wheel (indented side down) onto the straight axle.



2

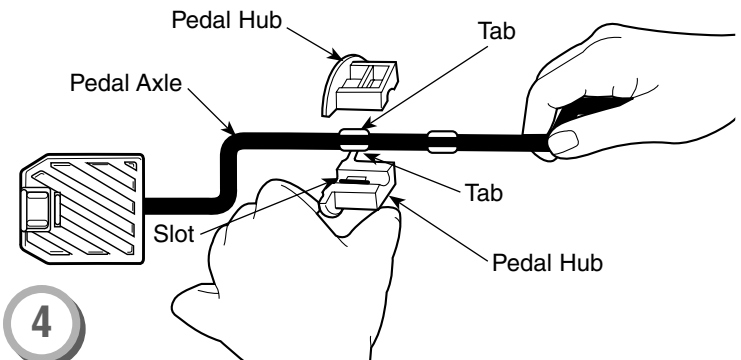
BOTTOM VIEW

- Turn the frame upside down.
- Insert the straight axle through the holes in the rear of the frame.



3

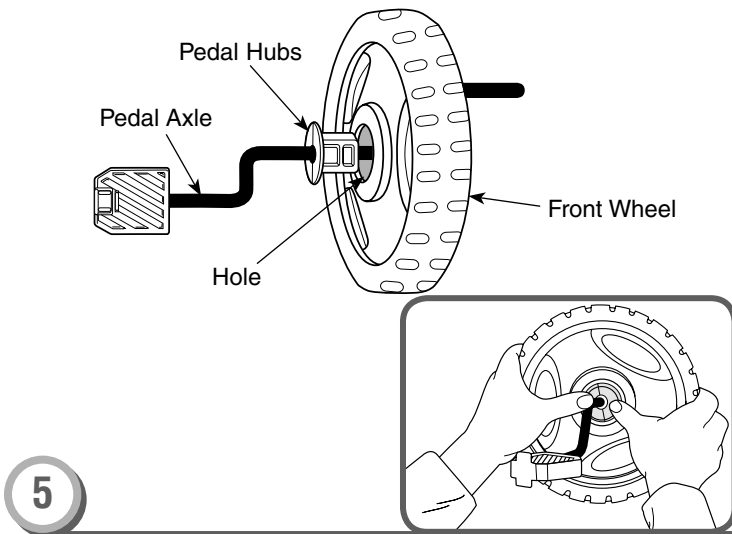
- Place a scrap block of wood on a flat surface.
- Turn the frame on its side with the exposed end of the straight axle up.
- Place the cap nut assembly tool under the assembled rear wheel and onto the cap nut.
- Slide a rear wheel (indented side up) onto the end of the straight axle.
- Slide a hubcap (peg side down) onto the straight axle.
- Place a cap nut on the end of the straight axle.
- Tap the cap nut with a hammer. **Gently pull the rear wheel up to be sure the cap nut is securely attached to the straight axle.**
- Dispose of the cap nut assembly tool properly.
- Insert one of the tabs on a cover into a slot in the hubcap. Push to "snap" the cover in place. Repeat this procedure to attach the other cover to the other hubcap.
- Set the frame assembly aside.



4

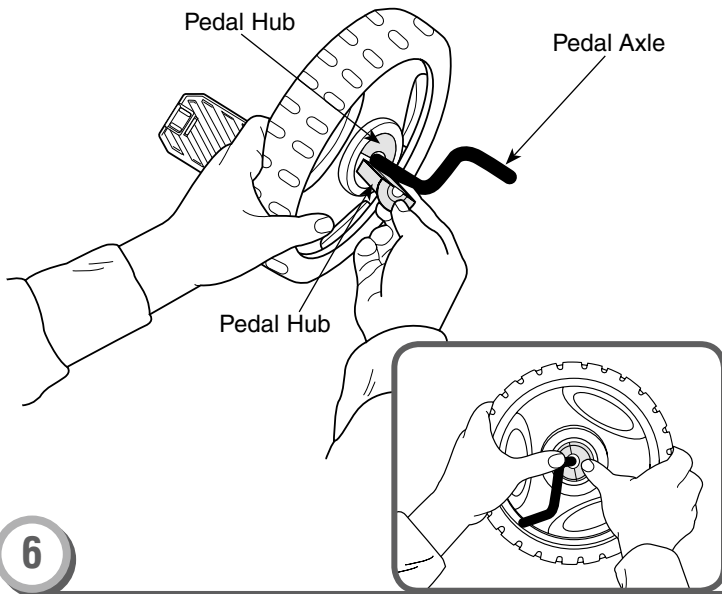
- Fit two pedal hubs onto the pedal axle tabs. Make sure the tabs fit into the slot in each pedal hub.

Assembly



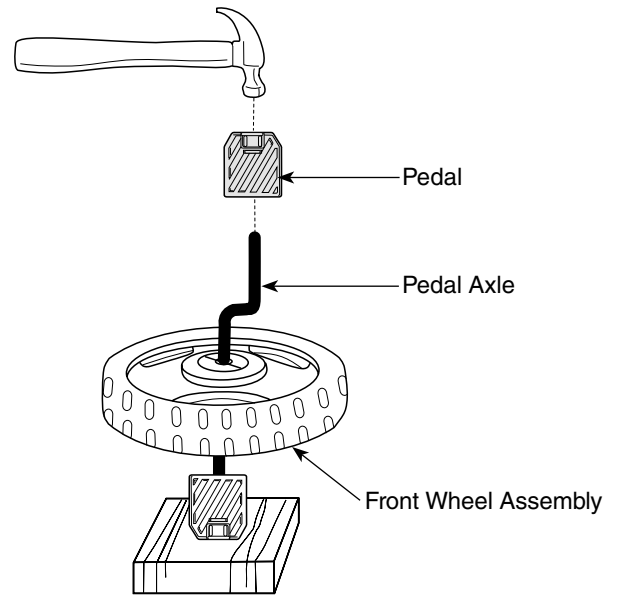
5

- While holding the pedal hubs on the pedal axle, insert the pedal axle through the hole in the center of the front wheel.
- Push the pedal hubs into the center of the front wheel until they are flush with the surface of the front wheel.



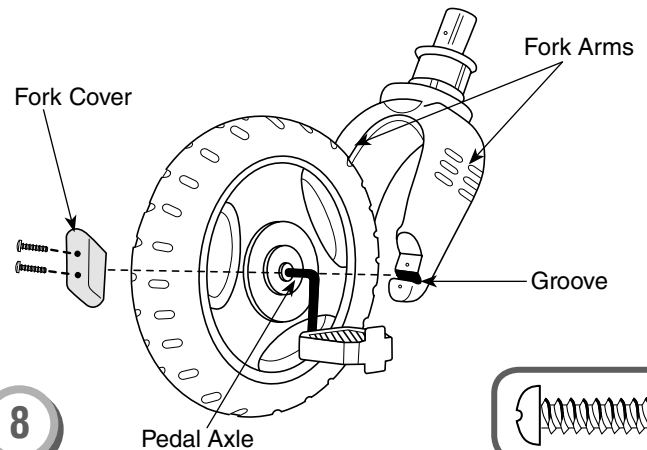
6

- Turn the front wheel assembly over.
- Insert a pedal hub onto the top of the pedal axle and into the hole in the center of the front wheel.
- Insert the remaining pedal hub below the pedal axle and into the hole in the center of the front wheel.
- Push the pedal hubs into the center of the front wheel until they are flush with the surface of the front wheel.



7

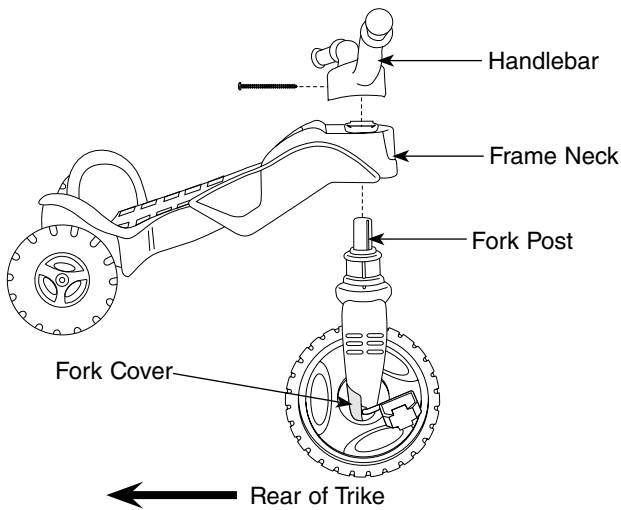
- Place a scrap block of wood under the front wheel assembly with the exposed end up.
- Fit a pedal on the pedal axle.
- Tap the pedal with a hammer until it is secure.



8

- Place the front wheel assembly between the fork arms. Make sure the pedal axle fits into the groove at the bottom of each fork arm.
- Place a fork cover over the pedal axle on one fork arm.
- Insert two #8 x 3/4" (1,9 cm) screws through the fork cover and into the fork arm. Tighten the screws with a Phillips screwdriver. Do not over-tighten.
- Repeat this procedure to attach the other fork cover to the other fork arm.

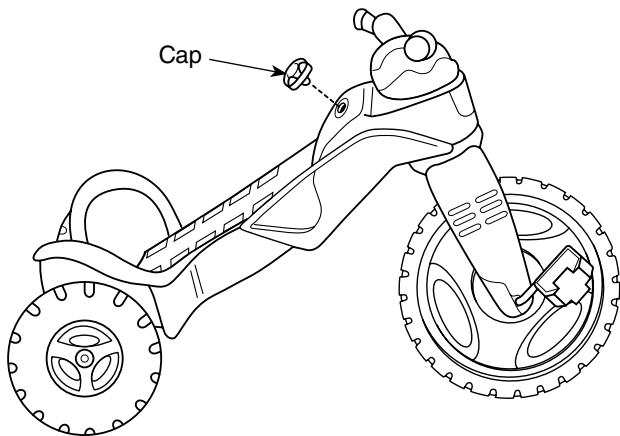
Assembly



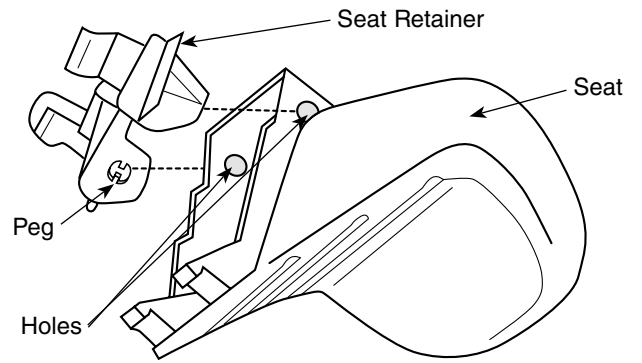
- 9**
- Turn the frame upright.
 - Insert the fork post up through the hole in the neck of the frame. **Make sure the fork is positioned so that the fork covers face the rear wheels.**
 - Place the handlebar over the fork post and push it down onto the frame. Make sure the handlebar is positioned so that the screw hole faces the rear wheels and aligns with the screw hole in the fork post.

Hint: You may need to rotate the handlebar to align the holes.

- Insert the #8 x 3" (7,6 cm) screw through the hole in the handlebar and into the fork post. Tighten the screw with a Phillips screwdriver. Do not over-tighten.

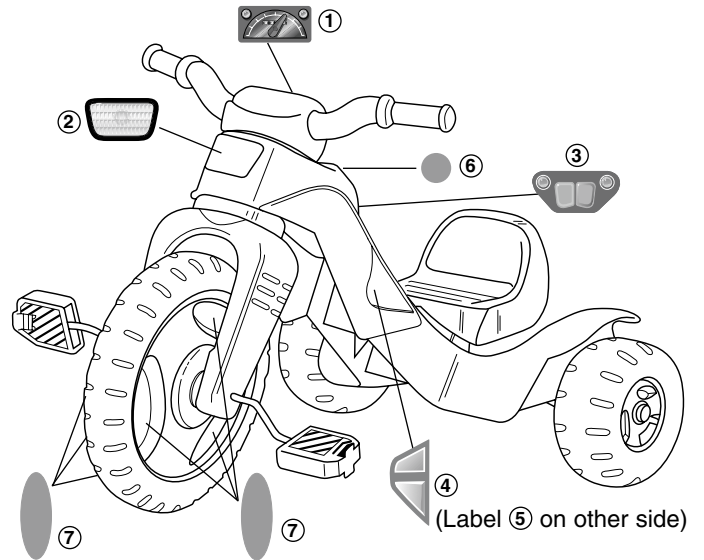


- 10**
- Insert and “snap” the cap into the hole in the frame.



11

- Position the seat upside down.
- Fit the small pegs on the seat retainer into the holes in the seat.

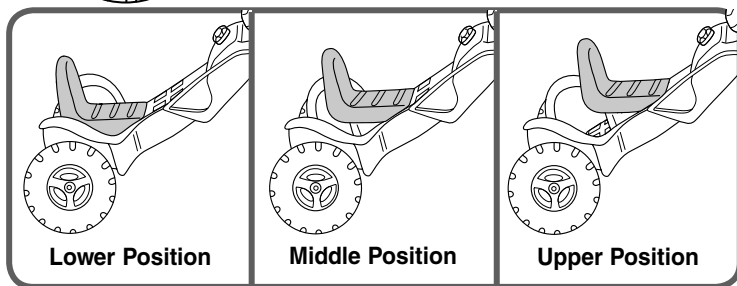
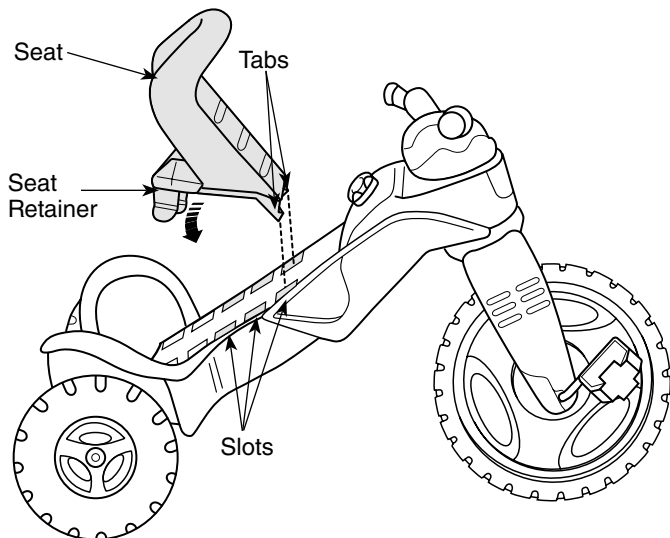


12

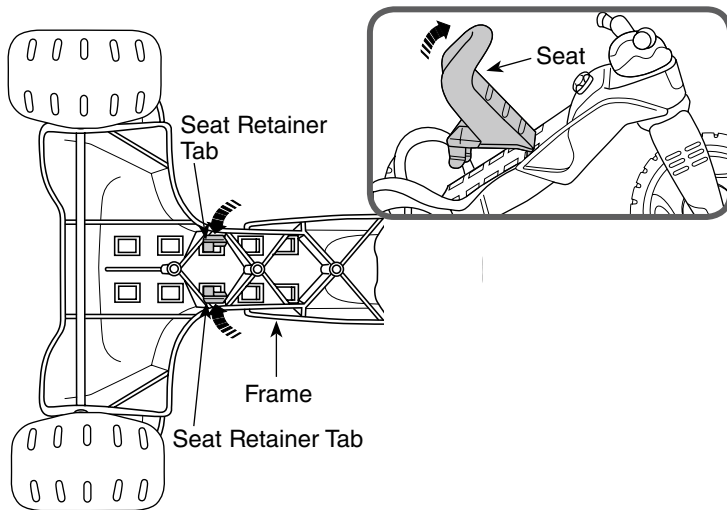
- Make sure the areas where the labels will be applied are clean and dry. Wipe your vehicle with a clean, soft, dry cloth to remove any dust or oils.
- For best results, avoid applying a label more than once.
- Apply the labels as shown in the illustration above.

Attaching and Removing the Seat

Helpful Hint: The seat can be attached to the frame in any of three positions, depending on the size of your child. Check your child's fit on the trike by observing the seat to pedal distance, as it is being ridden. If the pedals seem too far away or too close for your child, move the seat up or down.



- At an angle, insert the tabs on the seat into any of the top three sets of slots for the lower, middle or upper position.
- Lower the seat so that the seat retainer inserts and snaps into the slots in the frame.
- Pull up on the seat to be sure it is secure.



- Turn the frame on its side.
- Squeeze the seat retainer tabs toward one another and lift the seat from the frame.

Consumer Information

IMPORTANT! It is a good practice to start training children very young regarding the importance of helmet use. When children are older and riding bicycles and faster vehicles, it is important that they use a helmet each and every time they ride. For this reason, even while riding a tricycle, it is a good idea to familiarize your child with helmet use, so that it becomes a habit for life. Choose a helmet that complies with requirements of the applicable certifying agency for bicycle helmets.

Care

- Periodically, check the plastic parts and if broken or cracked, dispose of them properly.
- Check all fasteners regularly to be sure they are tight. If the fasteners are not tight, tighten them as necessary.
- To clean, use a mild soap and water solution and a clean cloth. Rinse clean with water to remove soap residue.



CONSUMER ASSISTANCE

1-800-432-5437 (US & Canada)
1300 135 312 (Australia)

service.fisher-price.com

Fisher-Price, Inc., 636 Girard Avenue, East Aurora, NY 14052.
Hearing-impaired consumers: 1-800-382-7470.

Outside the United States:

Canada: Mattel Canada Inc., 6155 Freemont Blvd.,
Mississauga, Ontario L5R 3W2; www.service.mattel.com.

Great Britain: Mattel UK Ltd, Vanwall Business Park,
Maidenhead SL6 4UB. Helpline: 01628 500303.
www.service.mattel.com/uk

Mattel Europa, B.V., Gondel 1, 1186 MJ Amstelveen, Nederland.

Australia: Mattel Australia Pty. Ltd., 658 Church Street,
Locked Bag #870, Richmond, Victoria 3121 Australia.

New Zealand: 16-18 William Pickering Drive,
Albany 1331, Auckland.